

Wall Mount - INSX602

Material: Aluminum

Dimensions: 109mm x 300mm x 82mm

Color: White

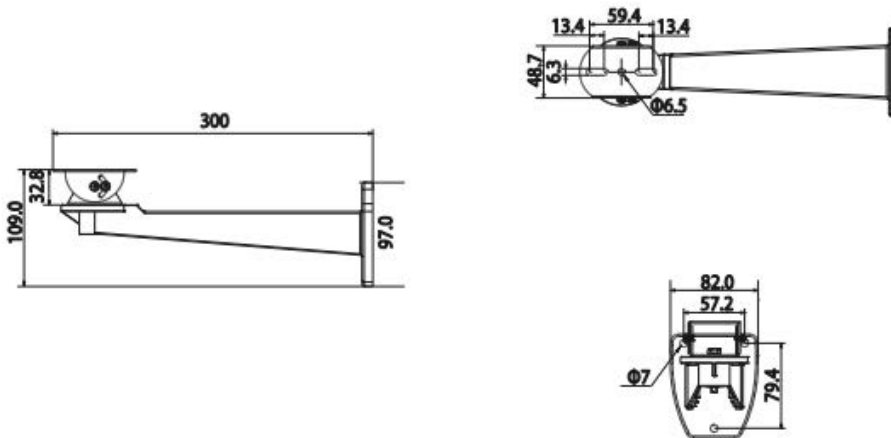
Type of Installation: Wall

Net Weight: 0.7kg

Load Bearing Capacity: 3.0Kg



Dimensions (mm)



Application

